

Verona Dressing Table Assembly Instructions

Pre-assembly Preparation

Please read these instructions fully prior to assembly to familiarise yourself with the various stages of construction. Carefully open all packs supplied and check the contents against the parts and fittings check list.

Do not destroy any of the packaging until you are certain that you have all the necessary parts for the assembly.

This product is **HEAVY**, it should be assembled as near as possible to the point of use.

Take care when lifting to avoid personal injury and (or) damage to the product.

There are small components used in the construction of this furniture as well as plastic foil packaging, these should be kept away from young children whilst assembling.

This product requires a minimum of 2 people to assemble.

Product Safety

All assembly fastenings should always be tightened properly and care should be taken to ensure that no fittings are loose.

Periodically check and ensure that all components are in their proper position, free from damage, and that all connectors are tight.

Feather & Black strongly advise using the Anti-Tip wall fixings provided with this product however the wall fixing itself may need to be altered depending on your wall. If the fixings have been misplaced please contact our Customer Service team who will be more than happy to send you a replacement kit.

Product Care

To clean, slightly moisten cloth with water and wipe surfaces. A damp cloth holds dust and prevents damage. repeat with a dry, soft, lint-free cloth.

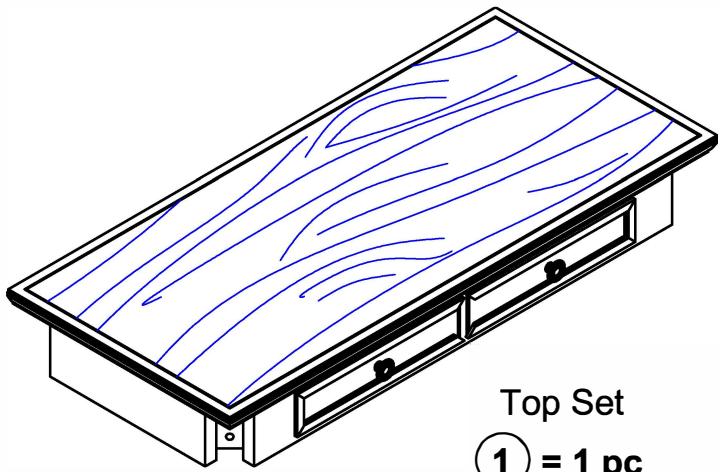
Do not use abrasives or cleaning products which may contain ammonia or solvents

Tools Required:

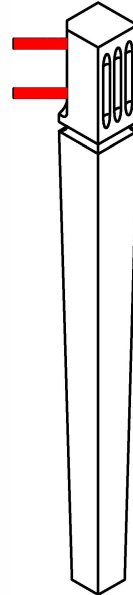
Please use a Spanner (included) to assemble your Verona Dressing Table.

Verona Dressing Table Assembly Instructions

Parts List

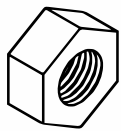


Top Set
1 = 1 pc

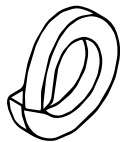


Leg
2 = 4 pcs

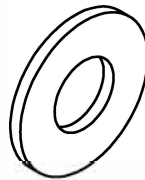
Hardware and Wall Fixing Packs



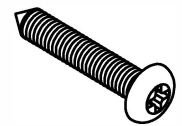
Nut
A = 8 pcs



Spring Washer
B = 8 pcs



Washer
C = 8 pcs



Strap Fixing Screw
D = 1 pc



Strap Fixing Washer
E = 1 pc



Strap
F = 1 pc

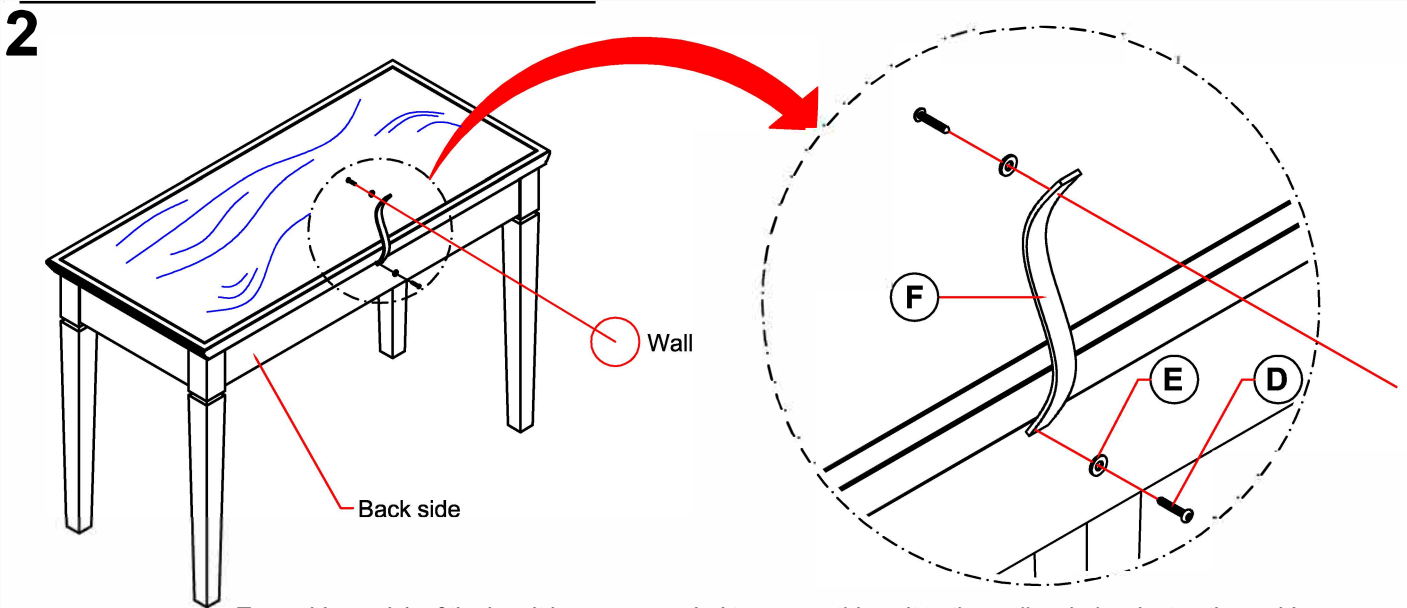
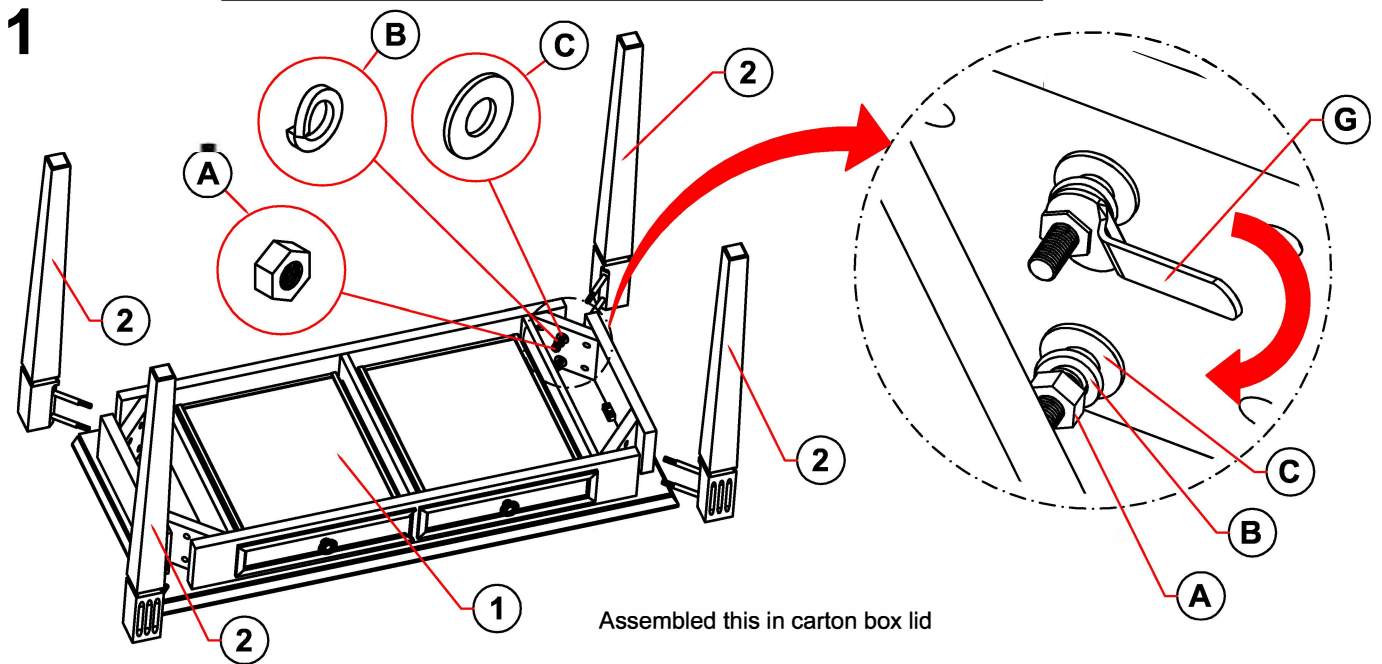


Spanner
G = 1 pc



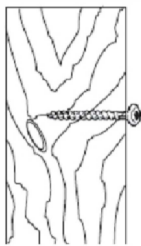
Optional Painted Handle
2 pcs

Verona Dressing Table Assembly Instructions



To avoid any risk of tipping, it is recommended to secure this unit to the wall as below instruction guide
Due to different wall types, fixing NOT included

Wall Fixing - if in doubt seek professional advice



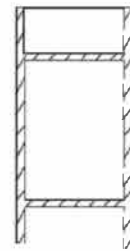
Wood

If fixing to wood make sure that it isn't chipboard as screws can easily pull away from the core structure



Brick or Masonry

Use an appropriate wall plug provided you are sure your wall is sound



Cavity Wall

Special toggle wall plugs are needed. Seek expert advice